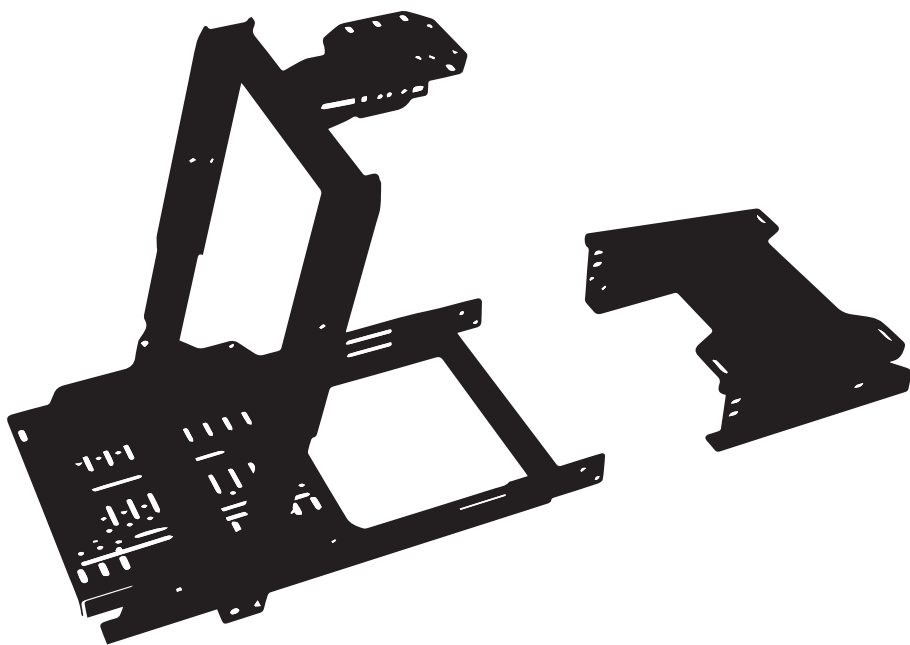


# CONSPIT GT-S



## Quick Guide

Product Disclaimer.....	1
Packing List .....	4
01. Installation of Rig .....	6
02. Installation of Seat Kits (Optional) .....	11
03. Installation of Office Chair (Not Included).....	13
04. Sitting Posture Adjustment .....	15
a. Steering wheel height adjustment .....	15
b. Steering wheel position adjustment .....	15
c. Seat position adjustment .....	16
d. Seat position adjustment (seat kits).....	16
e. Pedal position adjustment .....	17

**\*Please note the serial number on your product before contacting the support. The serial number can be found on the warranty card and corrugated box, and written here for your convenience.**

- Please read the manual carefully before you use the rig.
- Any **modifications, tampering, changes or unauthorized uses** of the product will void the warranty.



# Product Disclaimer

**We hereby reminds you that:**

Before using this product, please ensure that you have carefully read and fully understood this Product Disclaimer and all the following product safety tips and operation specifications. To the extent permitted by the laws of the People's Republic of China, Ensu (Shanghai) Electronic Technology Co., Ltd. is not responsible for all personal injury and/or property damage caused by your failure to obey any of the following safety tips or operating specifications.

If you have any questions about this Disclaimer or the following product safety tips and operating specifications, you can consult through [support@conspit.com](mailto:support@conspit.com). In the process of reading this Disclaimer and the following product safety tips and operating specifications, you should immediately stop using this product if you do not agree with any of the contents. If you do use this product, your behavior will be regarded as an acceptance of this Disclaimer and the following product safety tips and operation specifications.

- **Safety messages during handling and installation:**
  - The product and its components are relatively heavy in weight. Please ensure that you or the installer and user have sufficient lifting capacity. When handling and installing parts, please do so within your capabilities. We recommend that at least two people work together to handle and install the product.
  - The product is made of metal and has certain sharp edges. There is a possibility of collision injuries during the handling and installation of parts. Please do not wear slippers, shorts, or clothing that exposes a lot of skin during installation and use.
  - When picking up and moving items, please make sure you have a firm grip. Dropping components can cause property damage or even personal injury.
- **It is essential to use this product under safe conditions:**
  - Please ensure that the user has the ability to move independently and is conscious. Do not use this product when sick, fatigued, or under the influence of alcohol/drugs.
- **Ensure proper installation of the product:**
  - This product requires you to complete some installation work. Make sure that all parts of the bracket are properly and securely installed. Please follow the steps and instructions in the product manual during the installation process. Using the product without proper installation may result in the following: partial fasteners coming loose and causing collision injuries, parts detaching and causing injury to yourself or others.
- **Safety information for product placement:**
  - Do not pile up debris within a 50-centimeter radius around the product. Leave enough space around the product for comfortable use and movement.

- **Safety information during play:**
  - Do not carry sharp objects (such as keys, screwdrivers, utility knives, etc.) during activities. Otherwise, serious personal injuries may occur.
  - Avoid others entering the user's operating area.
  - Avoid using excessive force. This product has been designed and manufactured with large structural strength and safety margins to prevent component detachment/failure. However, improper application of force beyond normal usage may still cause component damage, leading to potential safety risks.
  
- **Situations that may pose hazards during normal use include, but are not limited to:**
  - Other people or pets coming close to the user's operating area.
  - Electrical cables near the working area of pedals, steering wheels, and other moving parts.
  - User's foot slipping off the pedal when applying force.
  - Exposed skin on knees, arms, feet, legs, and other body parts due to inadequate clothing coverage.
  
- **Follow all safety tips and operating procedures:**
  - Avoid using the product for an extended period - prolonged continuous use may cause fatigue, muscle pain, or other negative effects. We recommend a maximum single-use time of 2 hours, and the daily maximum recommended usage time should not exceed 6 hours.
  - Prohibit independent use by children under 12 years old, this product is not designed for use by children. Children should use this product under the supervision of their guardian.
  
- **Malfunctioning and damaged products:**
  - If the product is damaged or cannot be used properly, please stop using it immediately and consult CONSPIT's after-sales customer service. Continuing to use it may cause further damage to the product.
  - Do not attempt to repair the product or its accessories by yourself.
  
- **General preventive measures:**
  - Please store and protect the product and its accessories properly.
  - Do not immerse the product in liquid.
  - Do not use the product in any environment with flammable substances.
  - Using the product in dusty or dirty locations may cause damage.
  - Do not drop the product (or its components) or subject it to physical impact.



CONSPIT GT-S: revolutionizing diverse racing arenas with modular design and lightweight construction.



Please verify all the components listed in the packing list before starting the installation.

The installation process is expected to take 40-60 minutes.

# Packing List



M6\*12mm  
round head hex bolts  
(4 pieces)



M6\*16mm  
round head hex bolts  
(4 pieces)



M8\*16mm  
hex bolts  
(36 pieces)



M8 flange nuts  
(30 pieces)



M8 metal gaskets  
(16 pieces)



hex wrench 6.0  
hex wrench 5.0  
hex wrench 4.0



13mm  
open-end wrench  
(2 pieces)



gloves



carpet

## Optional



M8 metal gaskets  
(4 pieces)



M8\*16mm  
round head hex bolts  
(4 pieces)



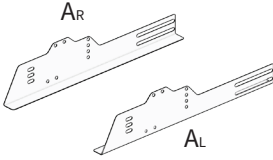
M8\*16mm  
hex bolts  
(8 pieces)



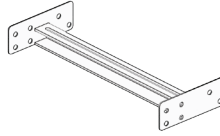
M8 flange nuts  
(14 pieces)

**\*Safety Warning: Contains metal parts with sharp edges,  
stay safe when installing.**

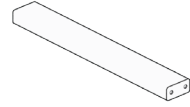
# Packing List



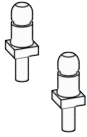
A×2



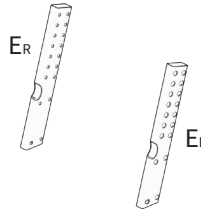
B×1



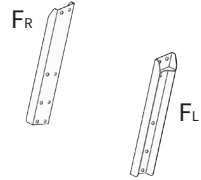
C×1



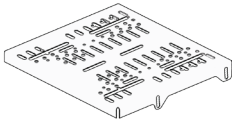
D×2



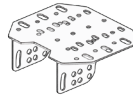
E×2



F×2



G×1



H×1

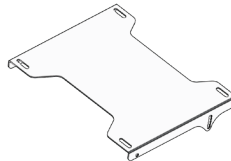


I×1

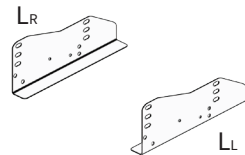
## Optional



J×1 (Seat)



K×1







L×2

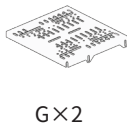
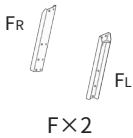
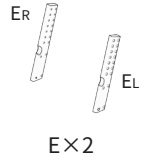
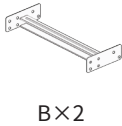
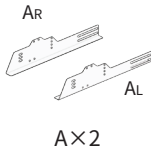
**\*Safety Warning: Contains metal parts with sharp edges, stay safe when installing.**

# 01 Installation of Rig

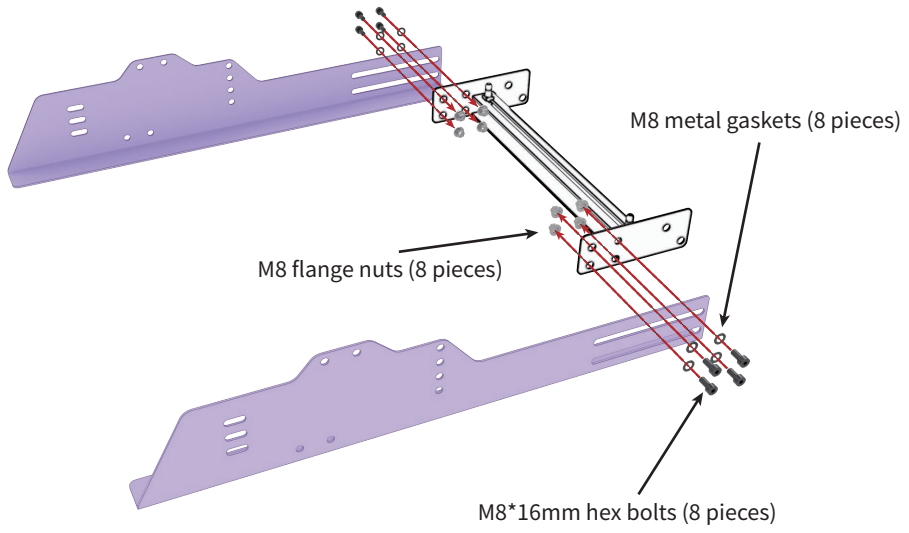


## Parts required for this step:

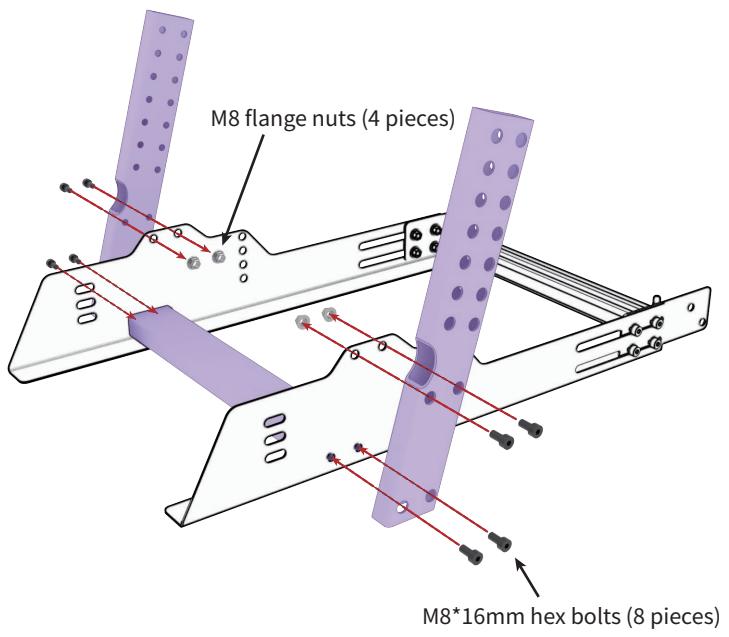
 M6*12mm round head hex bolts (4 pieces)	 M8*16mm hex bolts (36 pieces)
 M8 metal gaskets (16 pieces)	 M8 flange nuts (28 pieces)



1

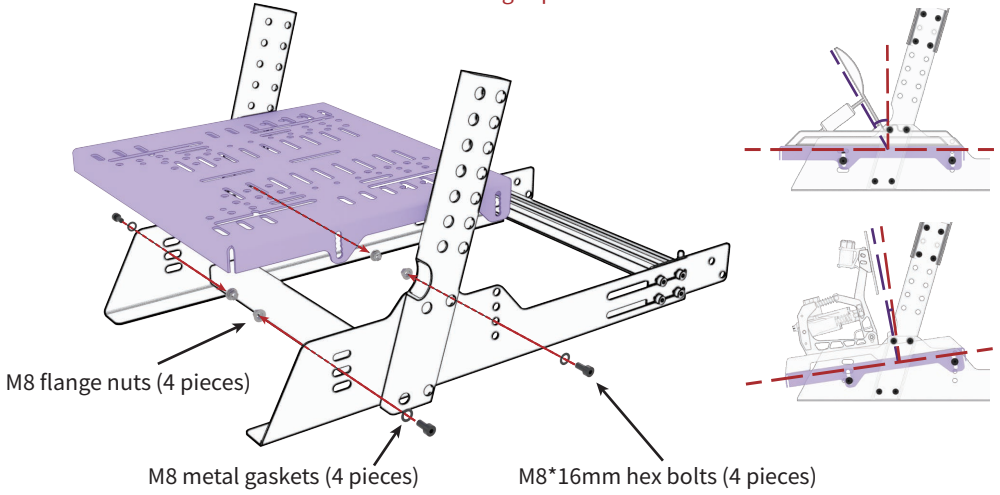


2

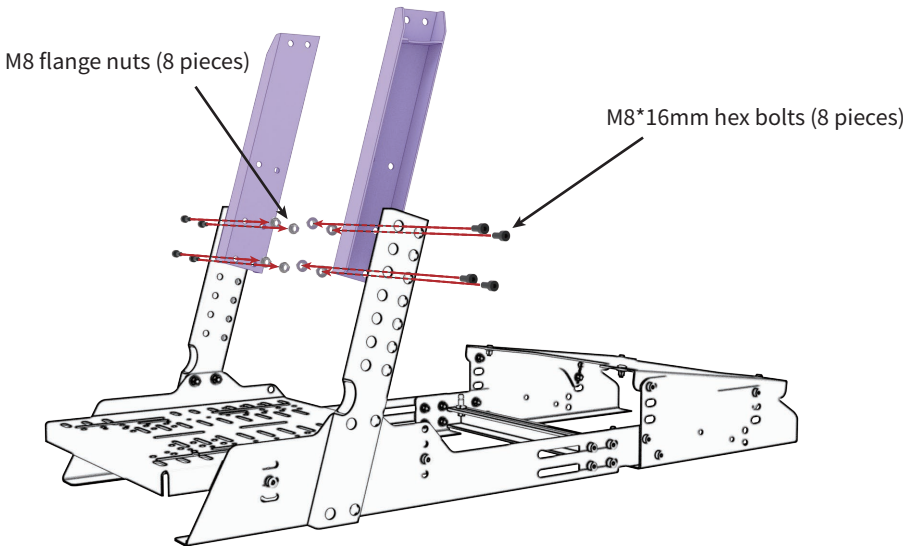


# 3

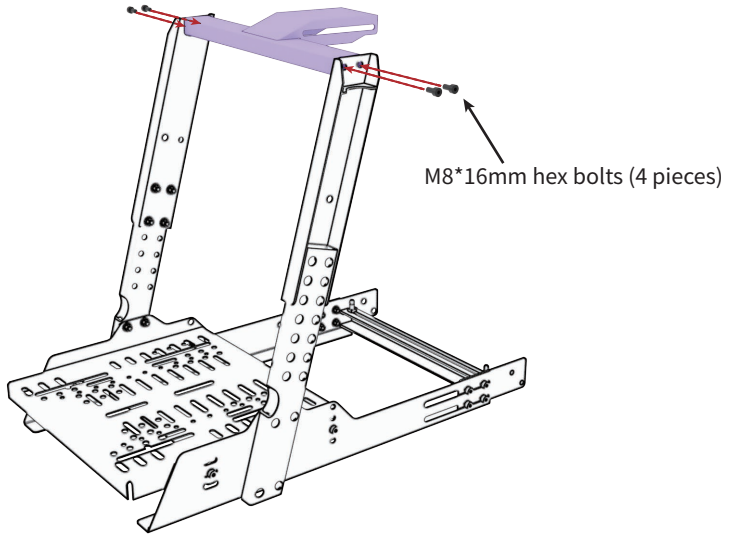
\* We recommend pedals with large pedal pad tilt angle such as T300, CSL and G29 when using office chairs as in page 13. If you're using pedals with small pedal pad tilt angle, you can install the pedal mounting plate more forward pitching for better driving experience.



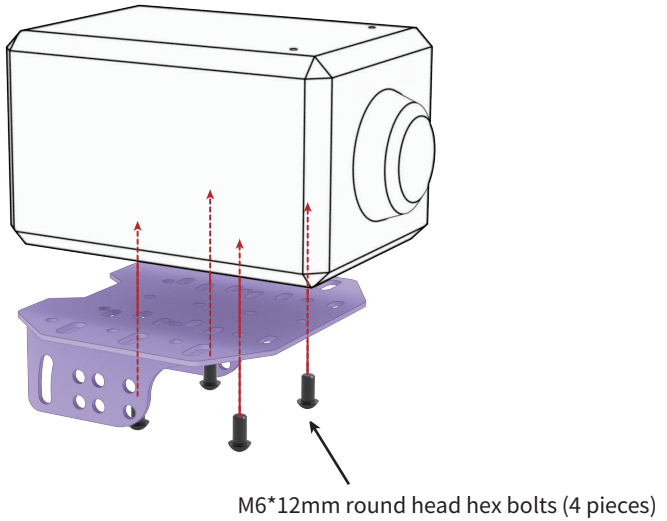
# 4



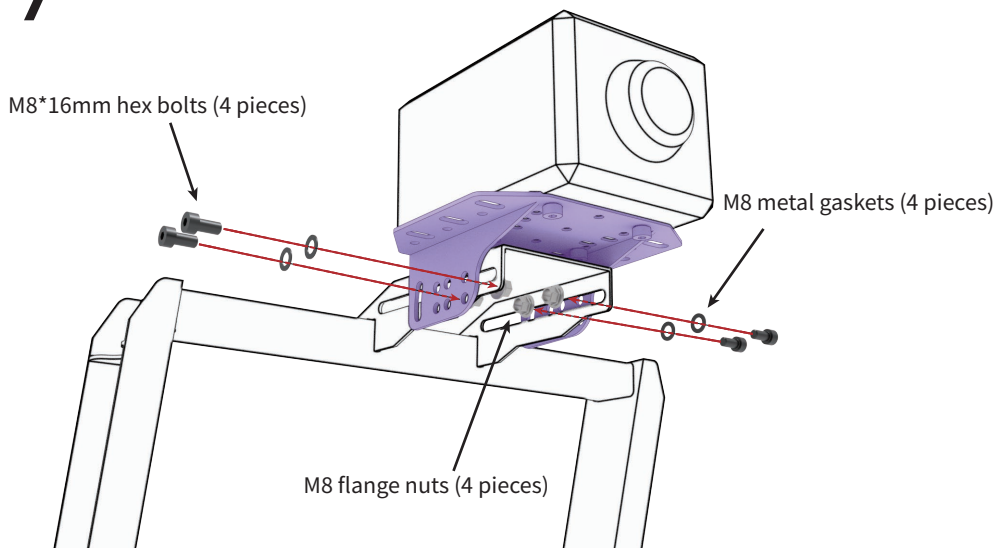
5



6



# 7



Please install bolts of the corresponding specifications according to the instructions provided by your base manufacturer.  
(GT-S provides M6\*12mm round head hex bolts)

## Supported and recommended devices:

**Fanatec:** DD PRO, CSL DD, Gran Turismo DD Pro

**Thrustmaster:** T300, TS-PC Racer, T-GT, T248

**SIMAGIC:** ALPHA, ALPHA MINI

**Logitech:** G920, G27, G29, G923

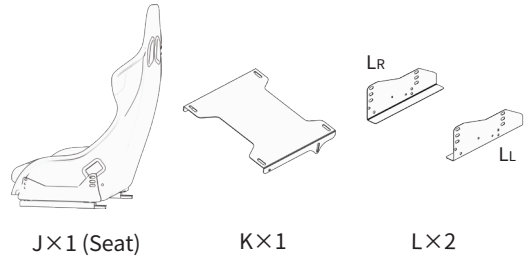
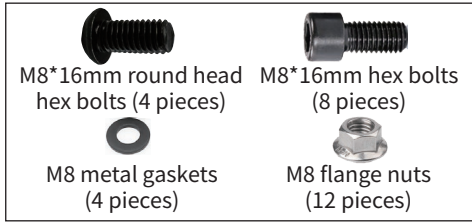
**Moza:** R5, R9

**Simucube:** Requires special mounting bracket

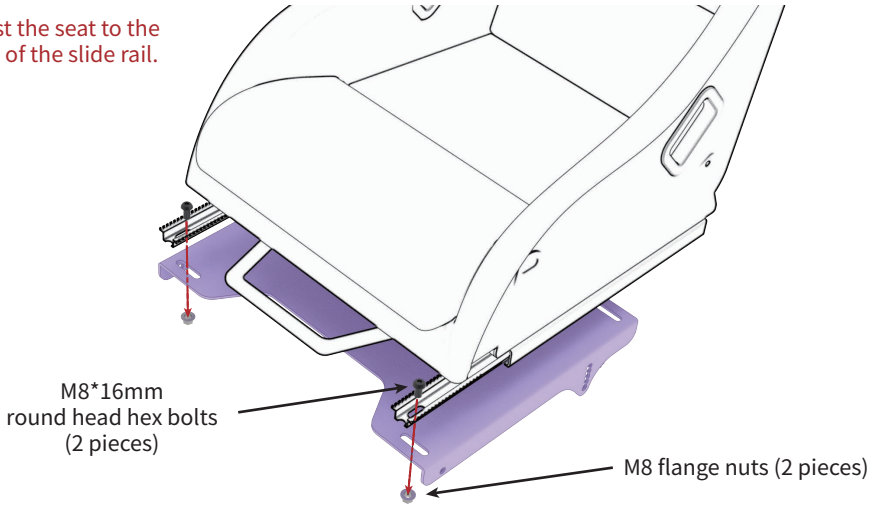


## 02 Installation of Seat Kits (Optional)

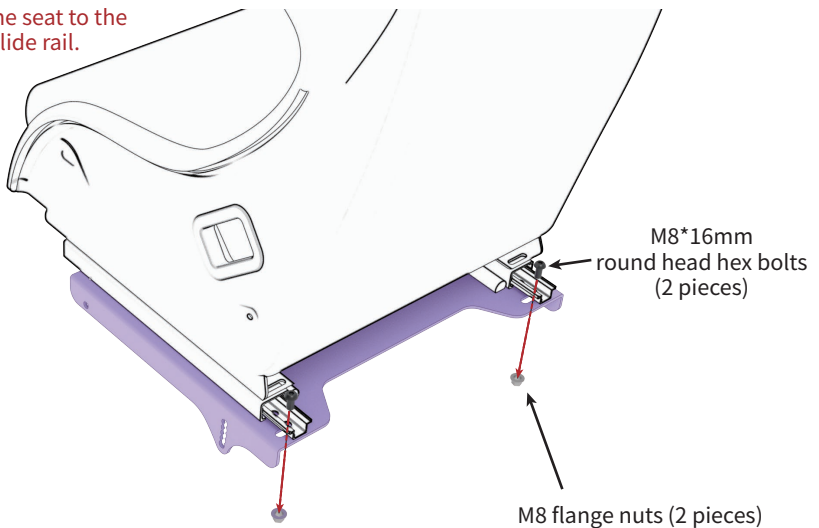
### Parts required for this step:

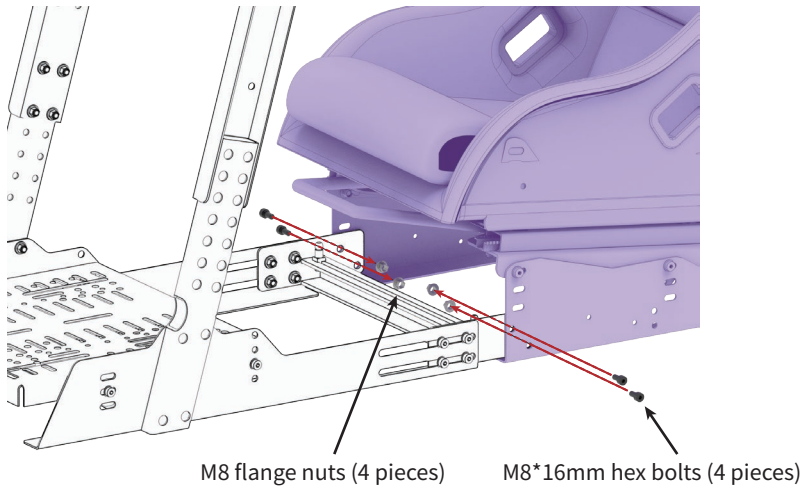
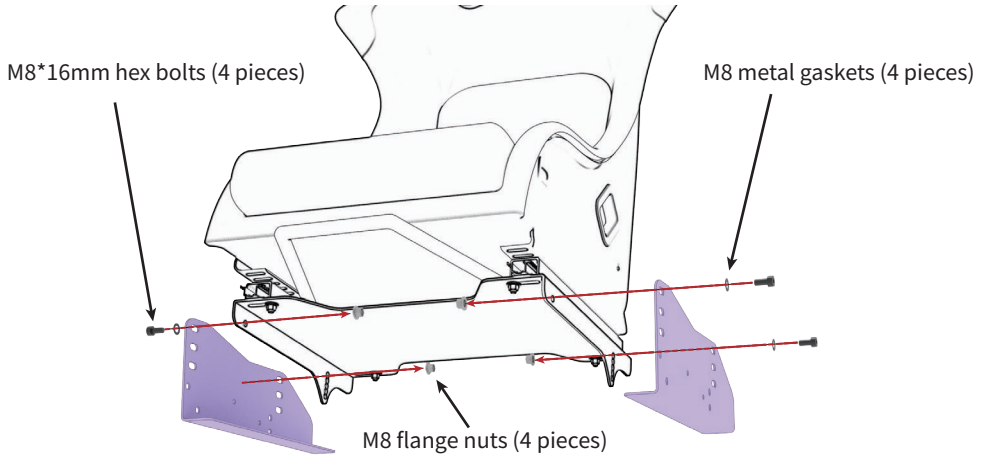


\* (1) Adjust the seat to the rear end of the slide rail.



\* (2) Then adjust the seat to the front end of the slide rail.





# 03 Installation of Office Chair (Not Included)

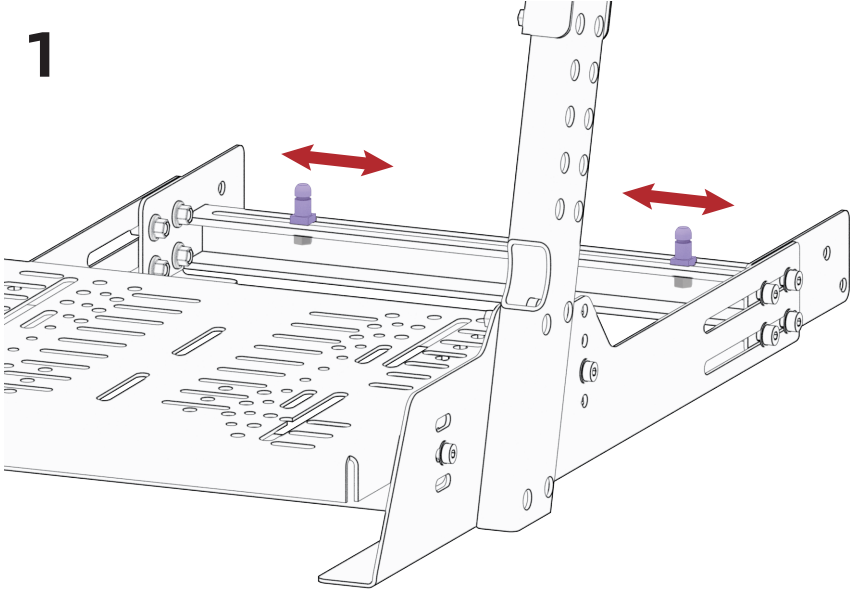
Parts required for this step:



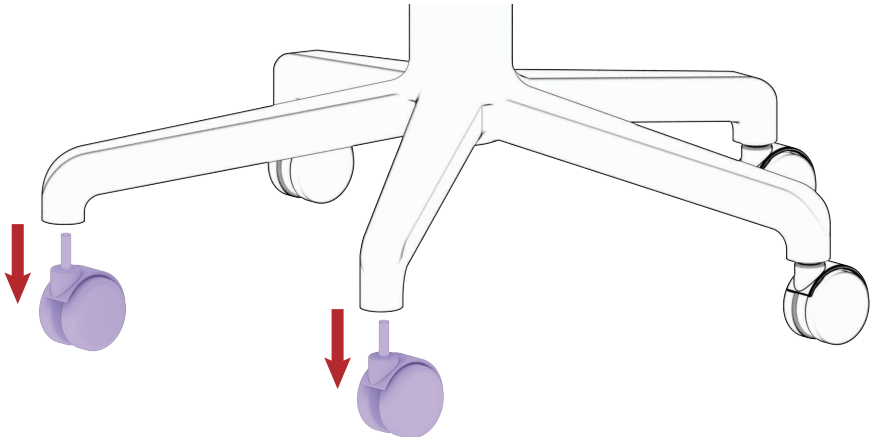
D x 2

\* Please Note:  
When installing and using the office chair, please be cautious due to possible non-fixed connections, and it is not recommended to use with pedals with force exceeding 50bar when using the office chair.

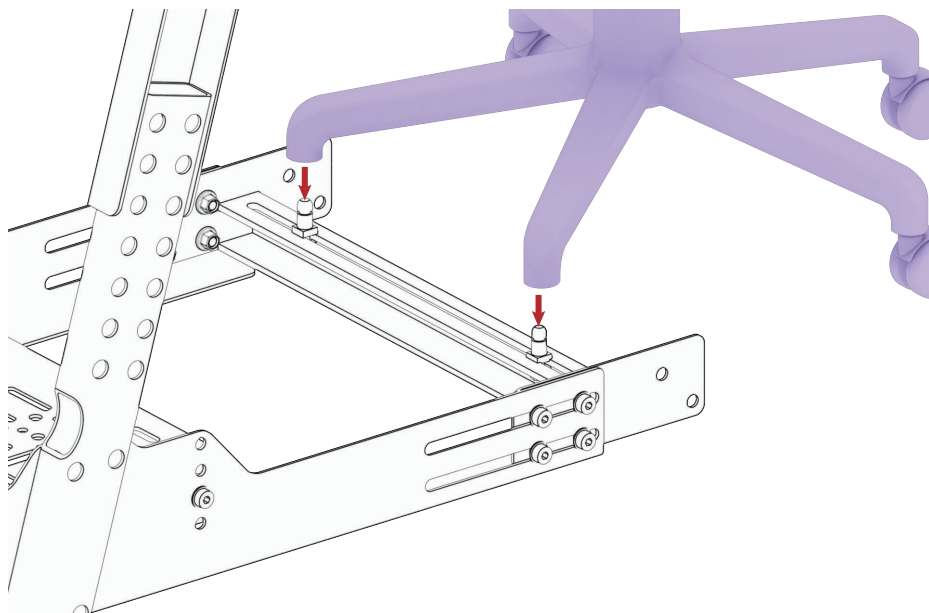
1



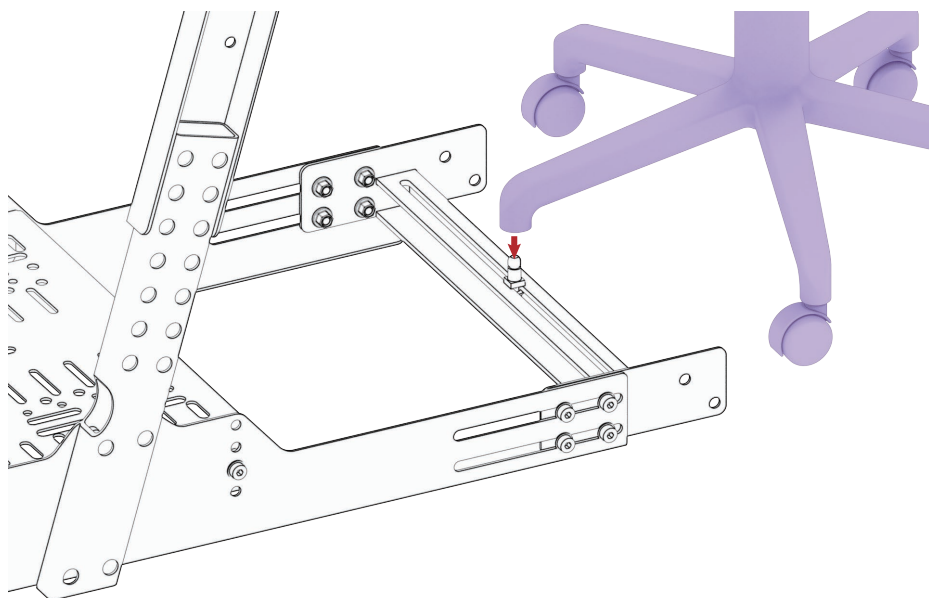
2



### 3 (1)

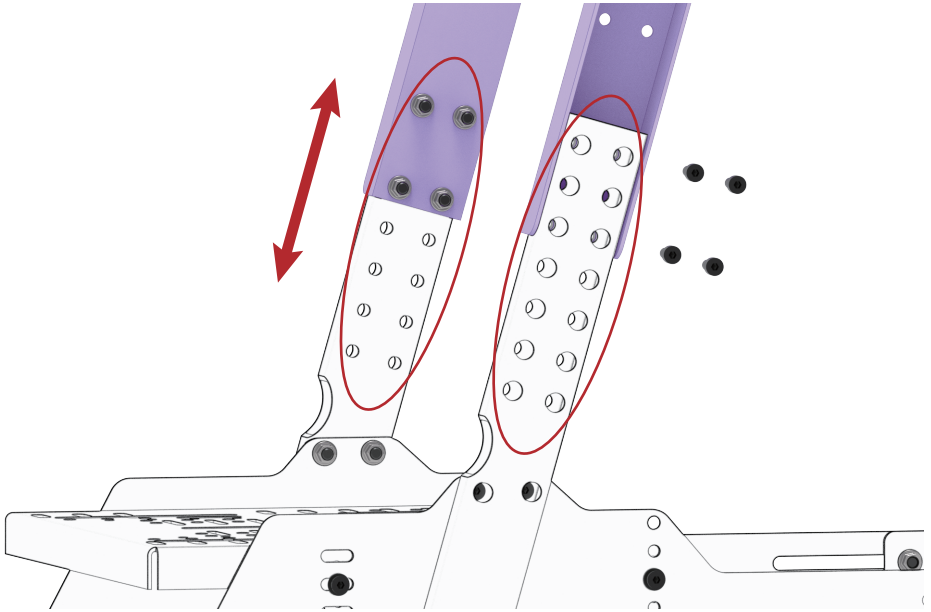


### 3 (2)

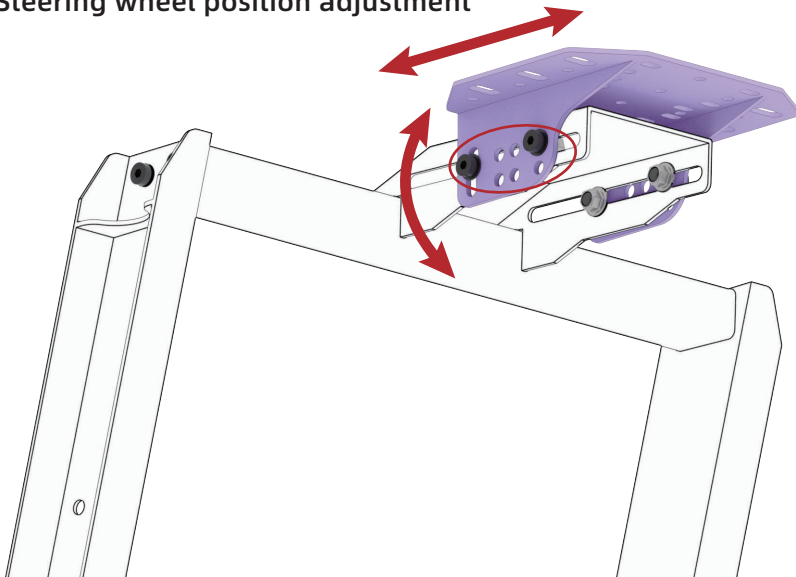


## 04 Sitting Posture Adjustment

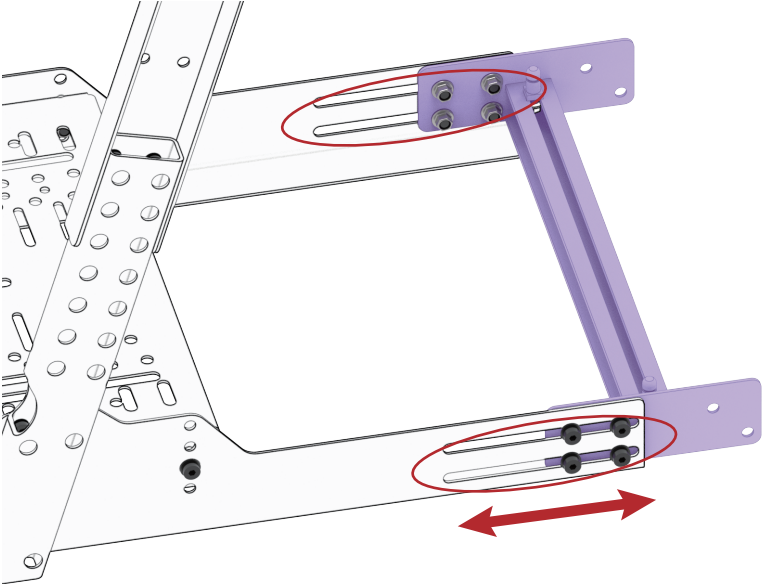
### a. Steering wheel height adjustment



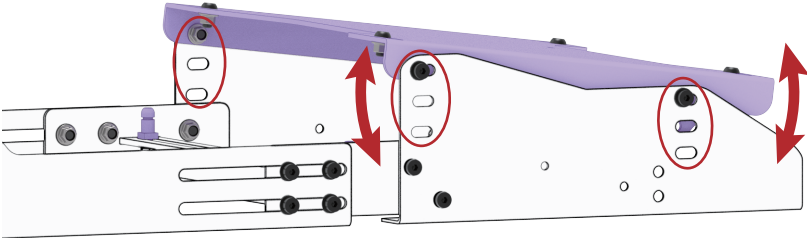
### b. Steering wheel position adjustment



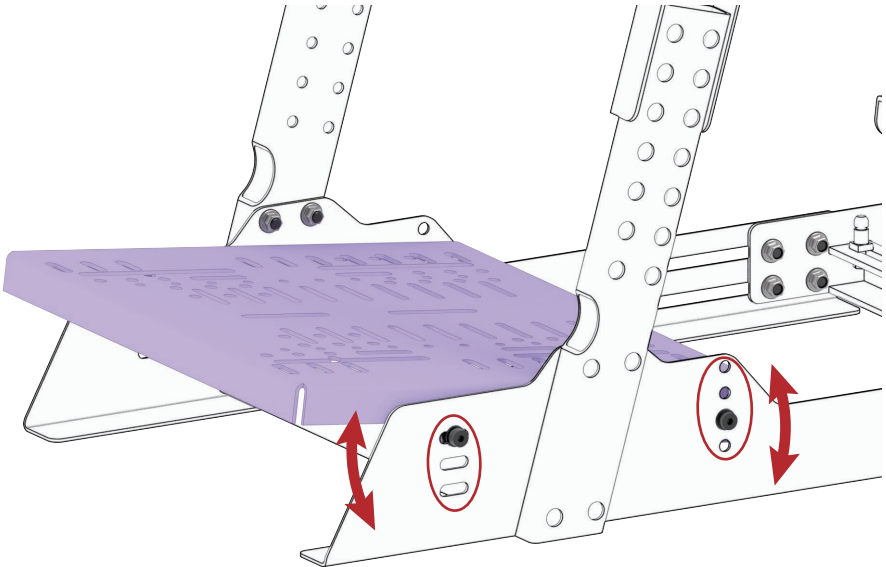
**c. Seat position adjustment**



**d. Seat position adjustment (seat kits)**



e. Pedal position adjustment



**CONSPIT**